



**LIGEO™** DATASHEET & INSTALLATION GUIDE  
VALID FROM 10/2024

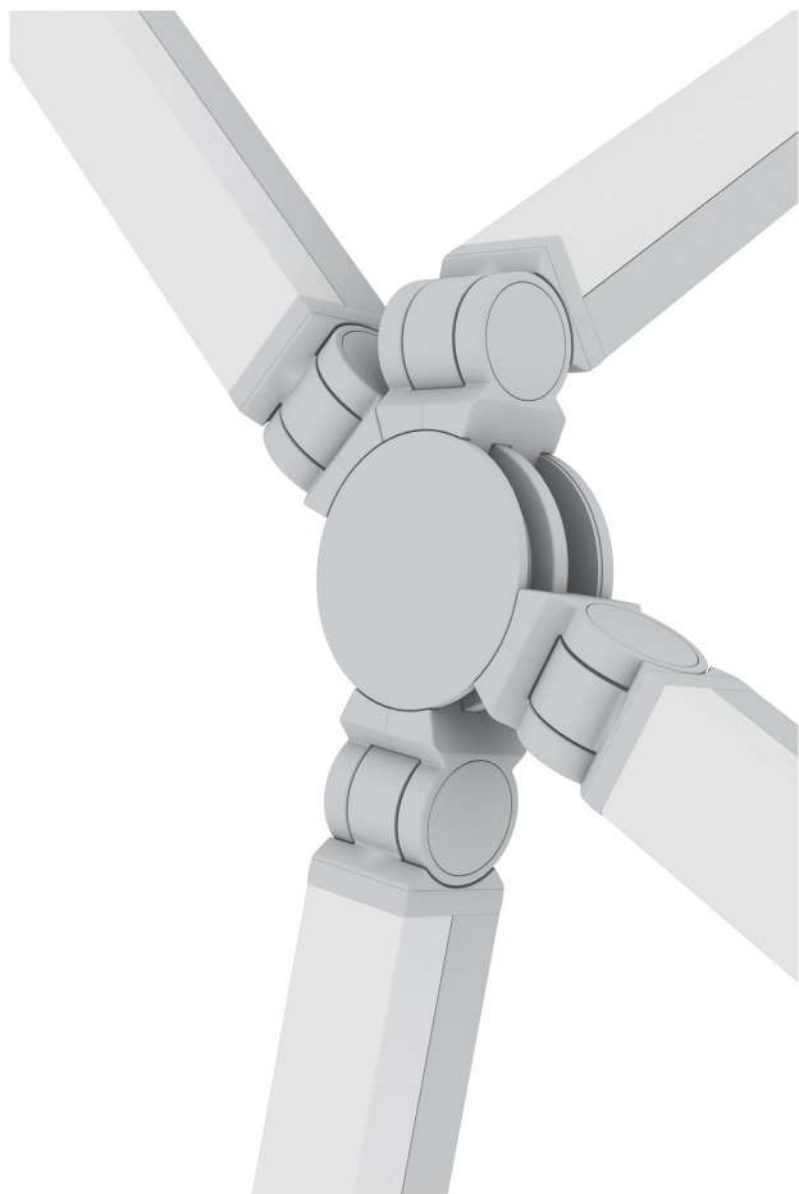
# GENERAL INFORMATION

This guide and datasheet is valid for LIGEO™ series

- LIGEO™ Warm White 3000K (300mm, 600mm, 900mm, 1200mm)
- LIGEO™ Neutral White 4000K (300mm, 600mm, 900mm, 1200mm)
- LIGEO™ Daylight White 5300K (300mm, 600mm, 900mm, 1200mm)
- LIGEO™ RGBW 5300K (300mm, 600mm, 900mm, 1200mm)

Please read the instructions in this guide carefully before using the products

# REQUIREMENTS



48V 

SELV



Indoor only.



The EU Declaration of Conformity can be requested at the adress below.

These products are qualified according:

- IEC 60598-2-1:1979, AMD1:1987 used in conjunction with IEC 60598-1:2014
- AMD1:2017
- IEC 62031:2018
- IEC 61347-2-11:2001
- IEC 62471:2006



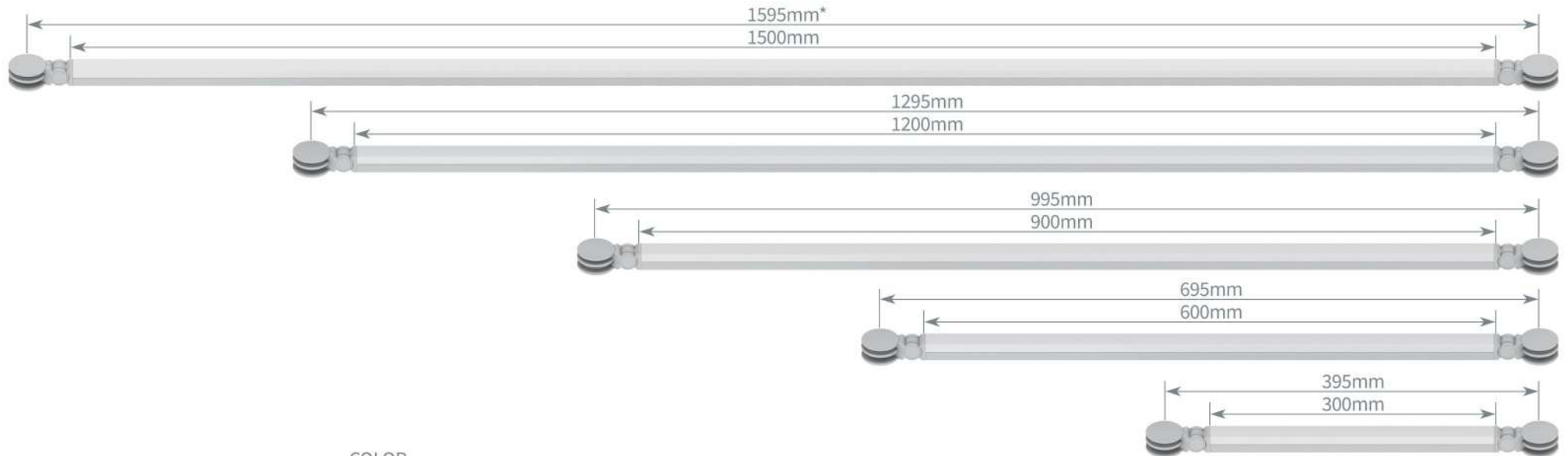
Appliances marked with this symbol must not be disposed with the regular household garbage. Consumers are required by law to recycle this product at an appropriate facility. Check with your local authority or retailer for recycling options.



  
Made in Germany

# VARIATIONS

## LENGTH

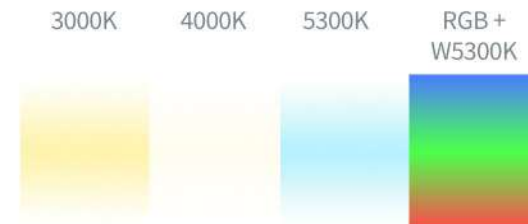


## COLOR

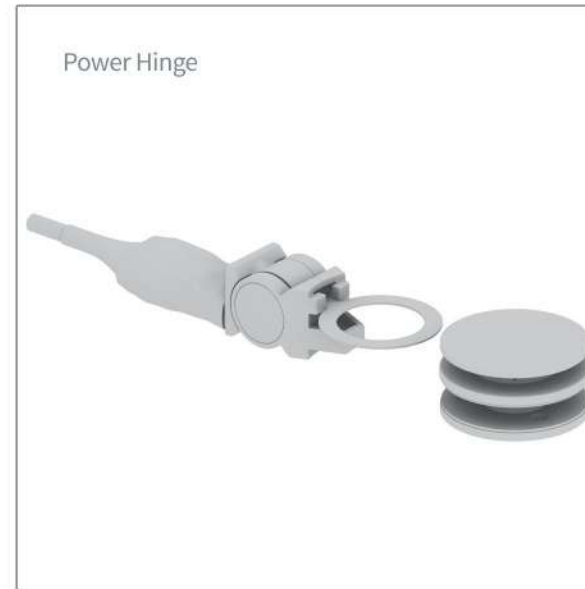


\* - discontinued item

## LIGHT COLOR



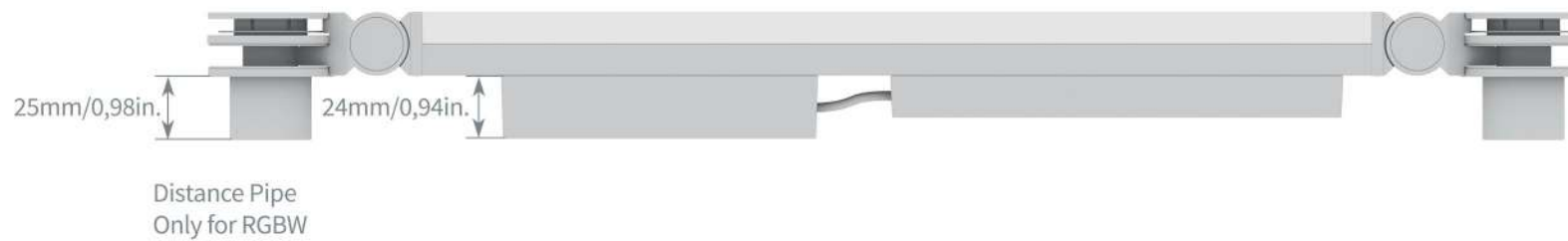
# HUBS & POWER HINGE



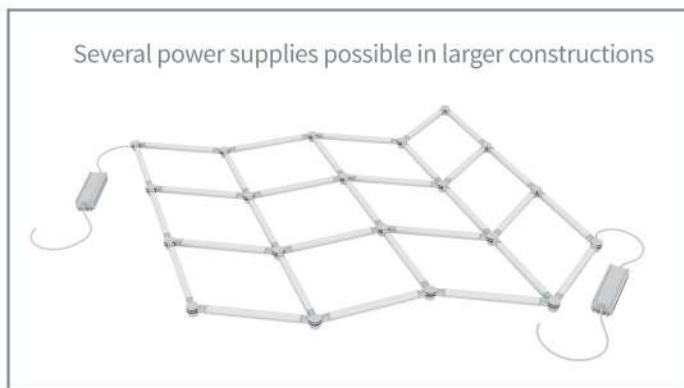
# DIMENSIONS



LIGEO™ RGBW (RGB + White LED 5300K)



# POWER SUPPLY OPTIONS

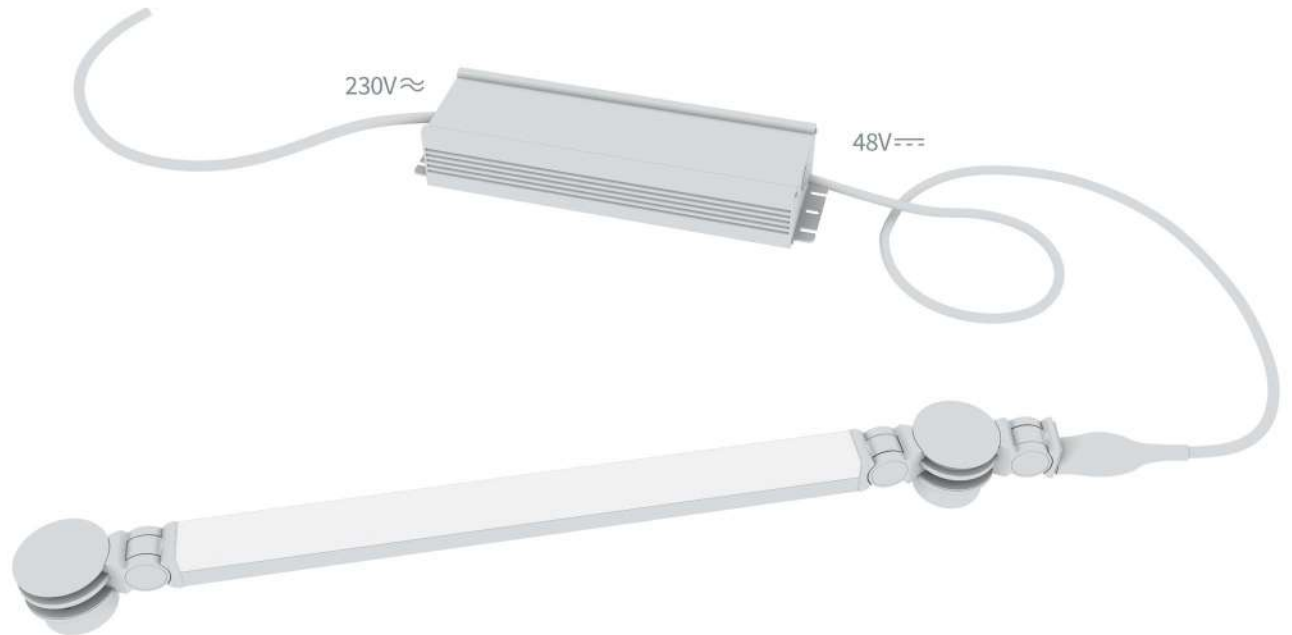


48V constant voltage

LIGEO™

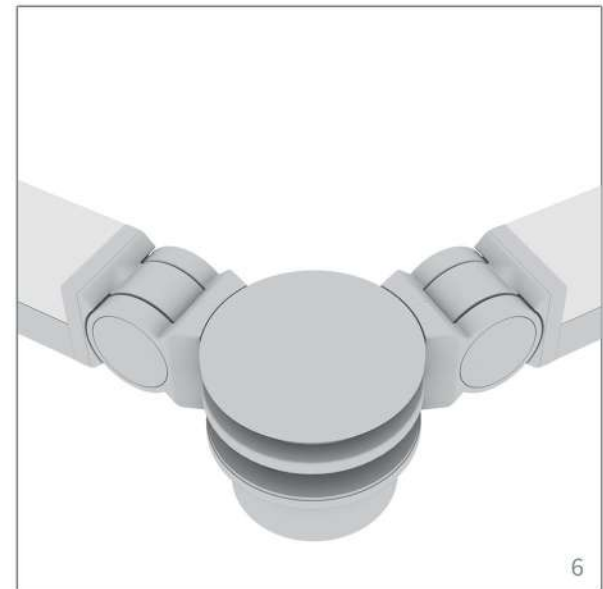
White: dimmable via power supply (potentiometer, DALI...)

LIGEO™ RGBW: controllable via DMX and cable



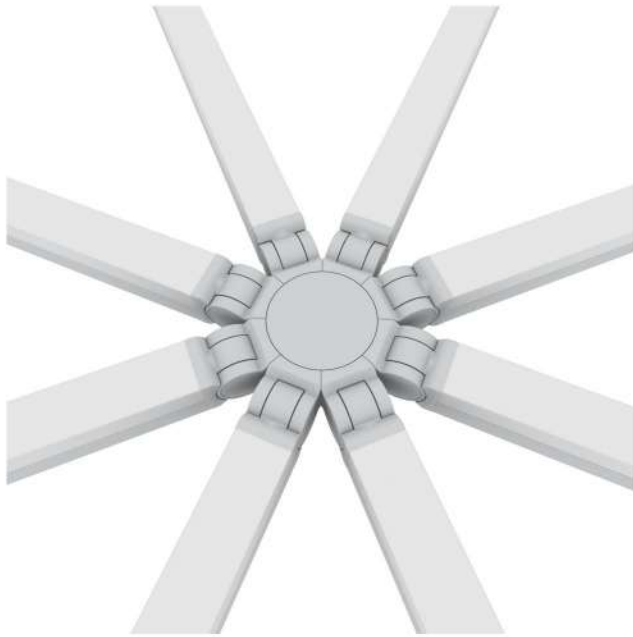
Use only stranded 2,5mm<sup>2</sup>/0,0039in.<sup>2</sup> PVC or rubber wires with a max. length of 5m/196,85in. and a nominal minimum insulation thickness of 0,6mm/0,024in.

# ASSEMBLY

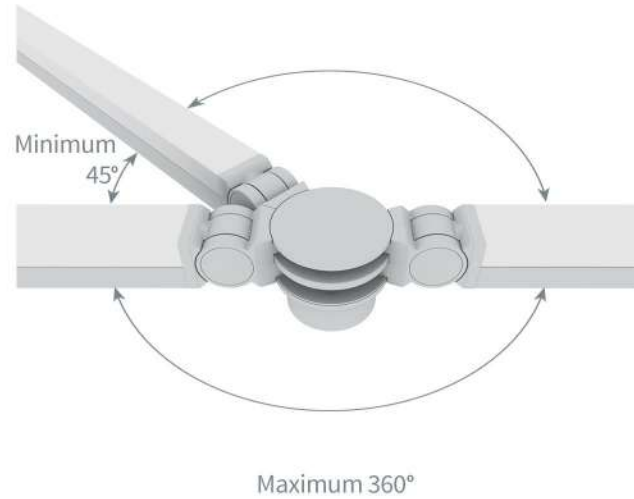




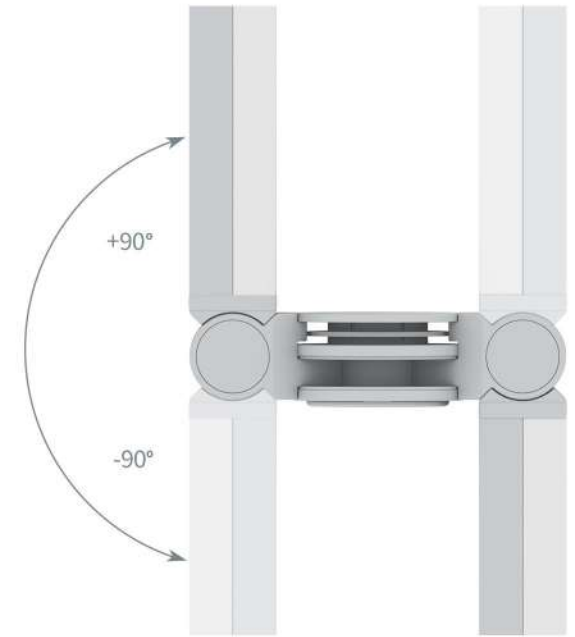
# MECHANICAL FEATURES



Maximum 8 LIGEO™ tubes per hub.

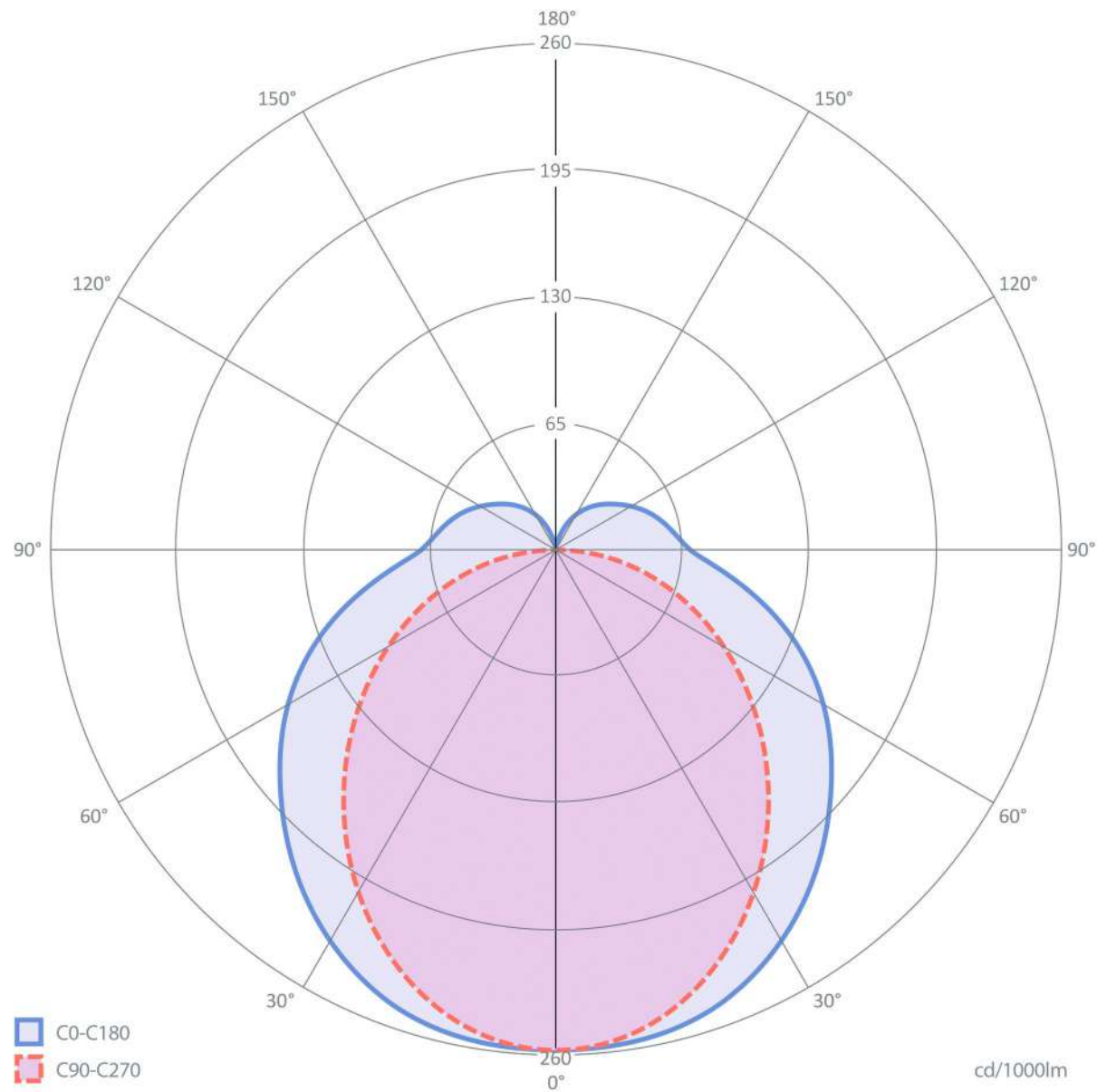


Each LIGEO™ tube 360° turnable and the hub allows minimum 45° between LIGEO™ tubes.



Maximum tilt +90° up and -90° down.

# LIGHT DIAGRAM

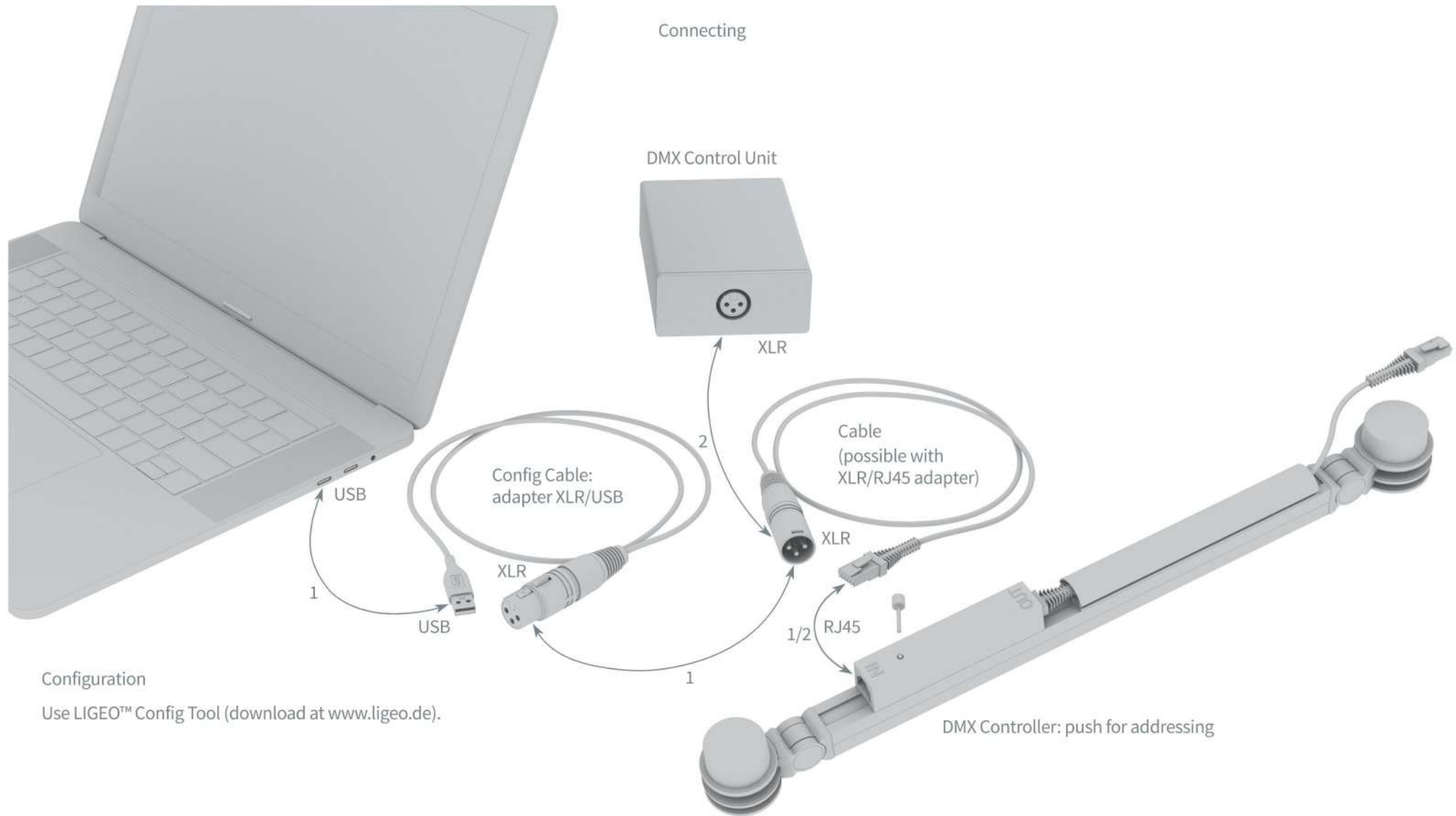


## Light Diagram

Light distribution in the C0-180 area (perpendicular to the longitudinal axis of the lamp) and the C90-C270 area (along the longitudinal axis of the lighting body of the lamp).

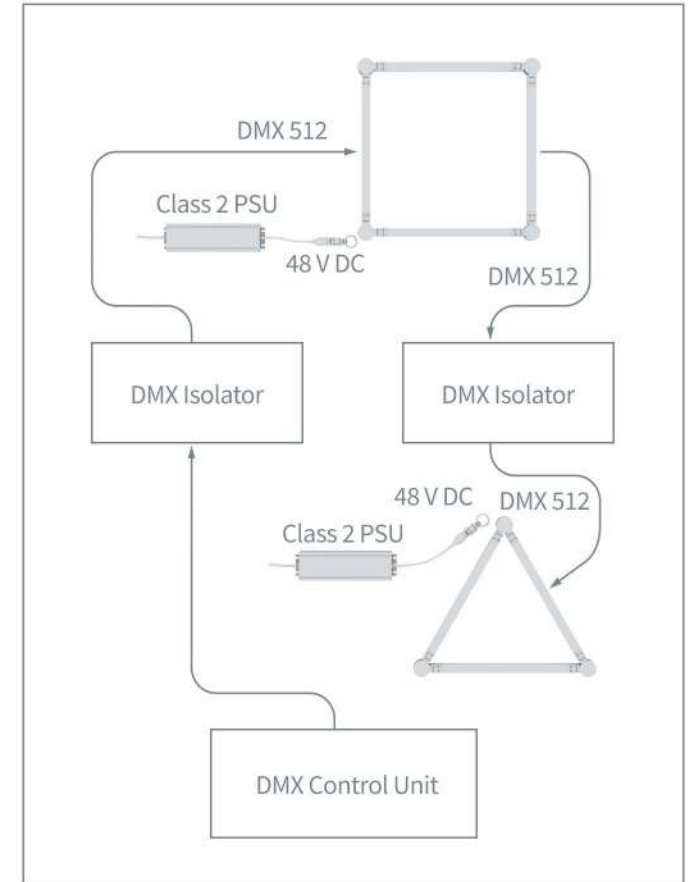
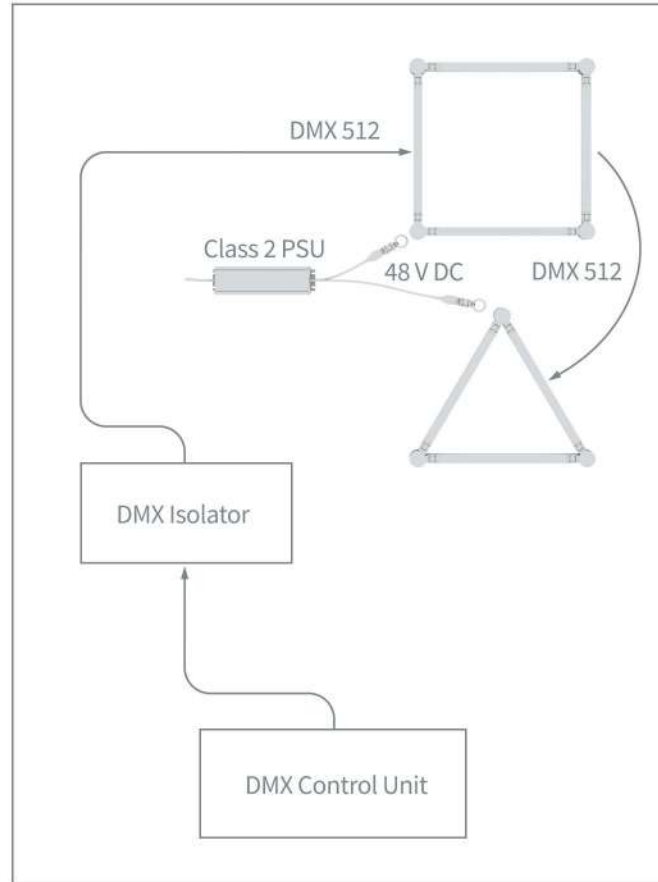
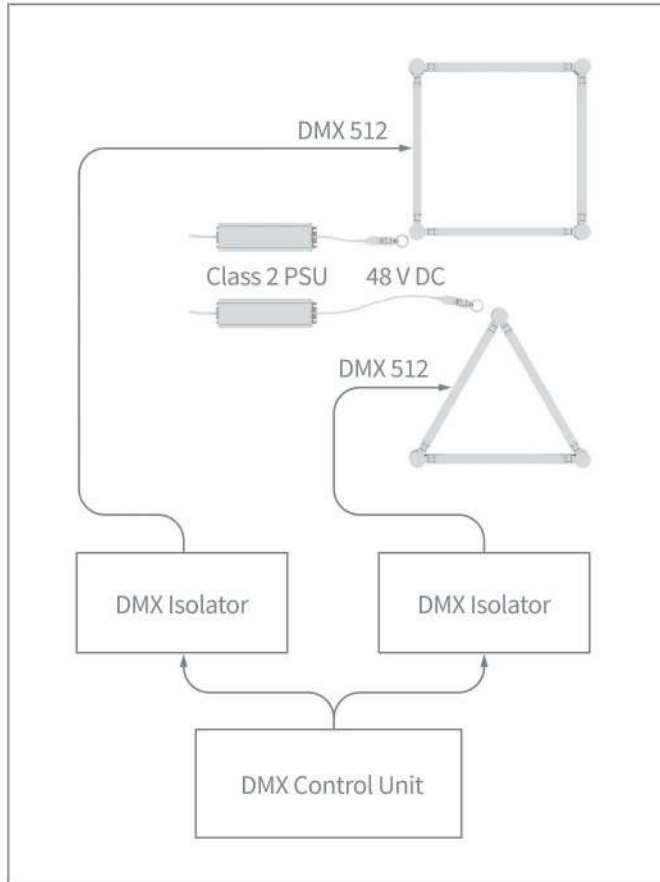
This is similar for all LIGEO™. Detailed information and Eulumdat data for all variations can be found in the download section on [www.ligeo.de](http://www.ligeo.de).

# DMX CONTROL DATA CABLE



# LIGEO™ RGBW, DMX SETUP AND ISOLATION REQUIREMENTS

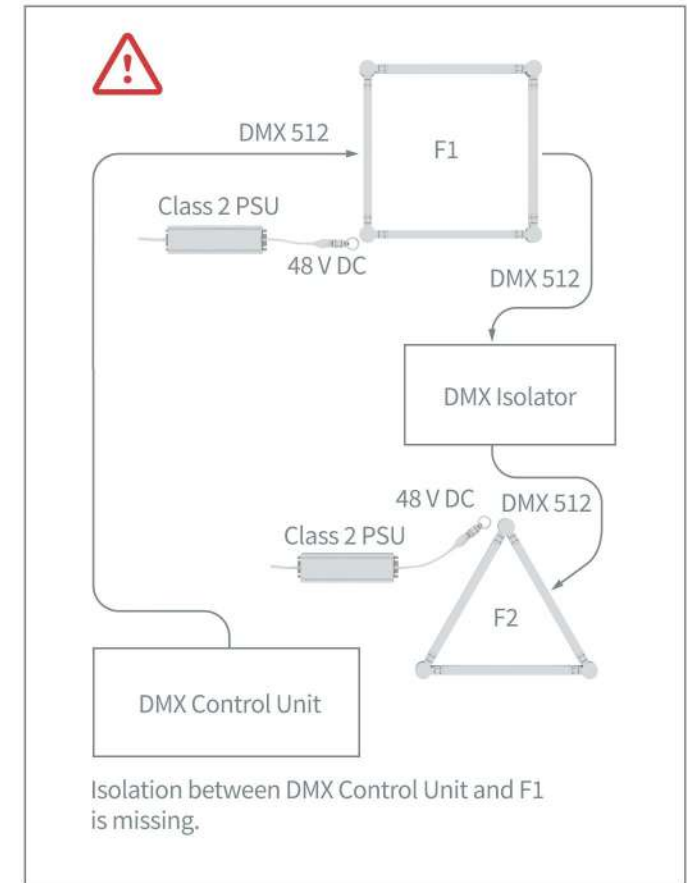
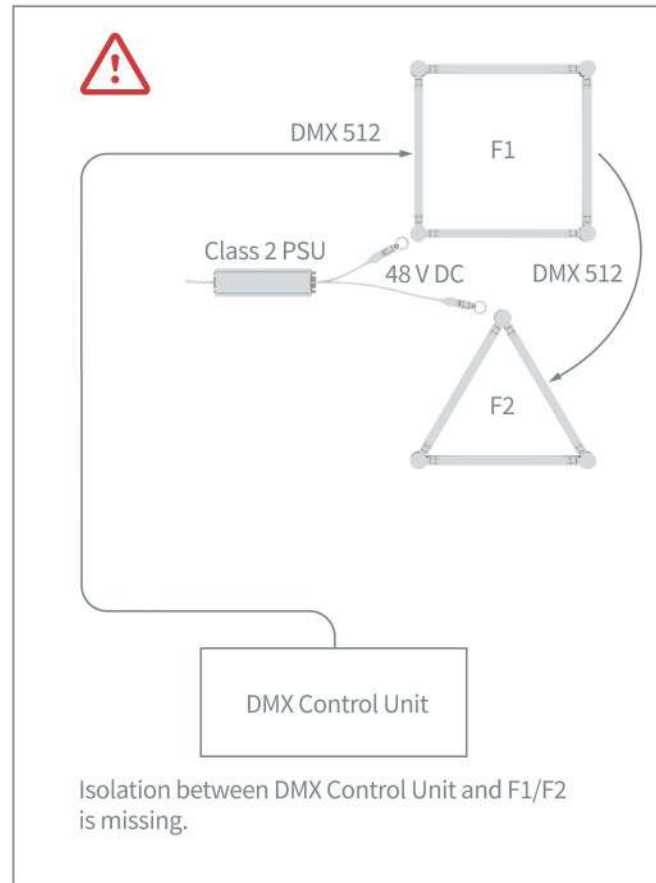
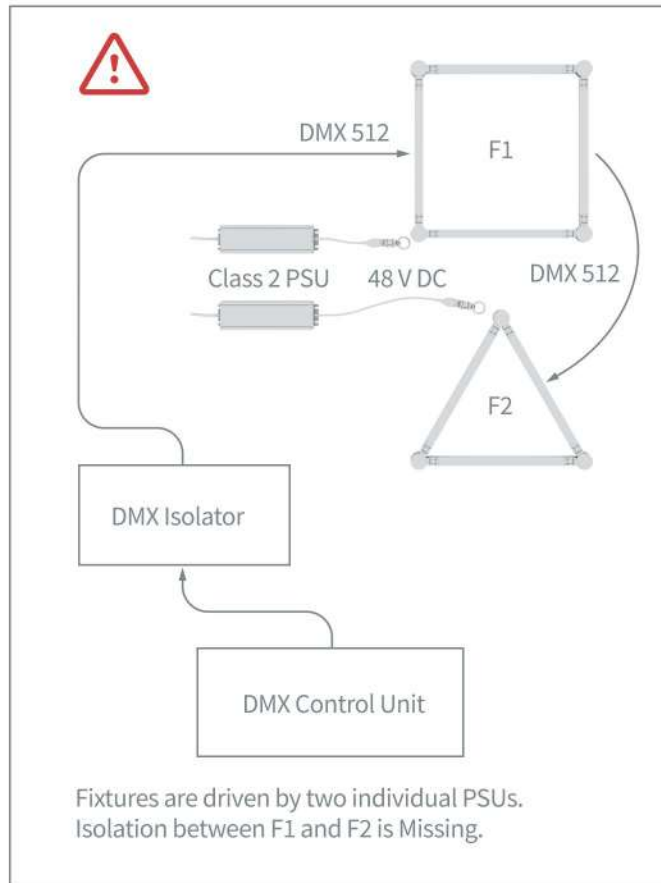
## RECOMMENDED



Each product has one DMX input and one DMX output.  
The input and output of each controller are passively connected.  
So, if one controller fails, the remaining controllers are not affected by this.  
A maximum of 64 tubes can be connected in one row.

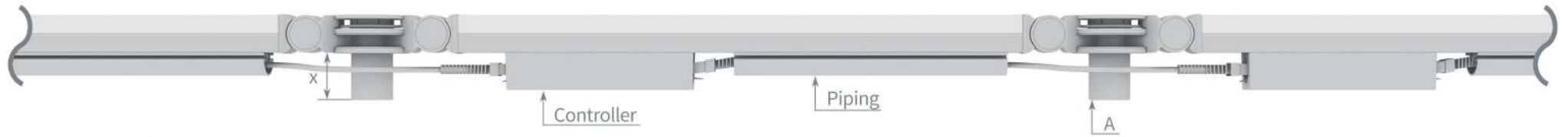
# LIGEO™ RGBW, DMX SETUP AND ISOLATION REQUIREMENTS

## NOT RECOMMENDED



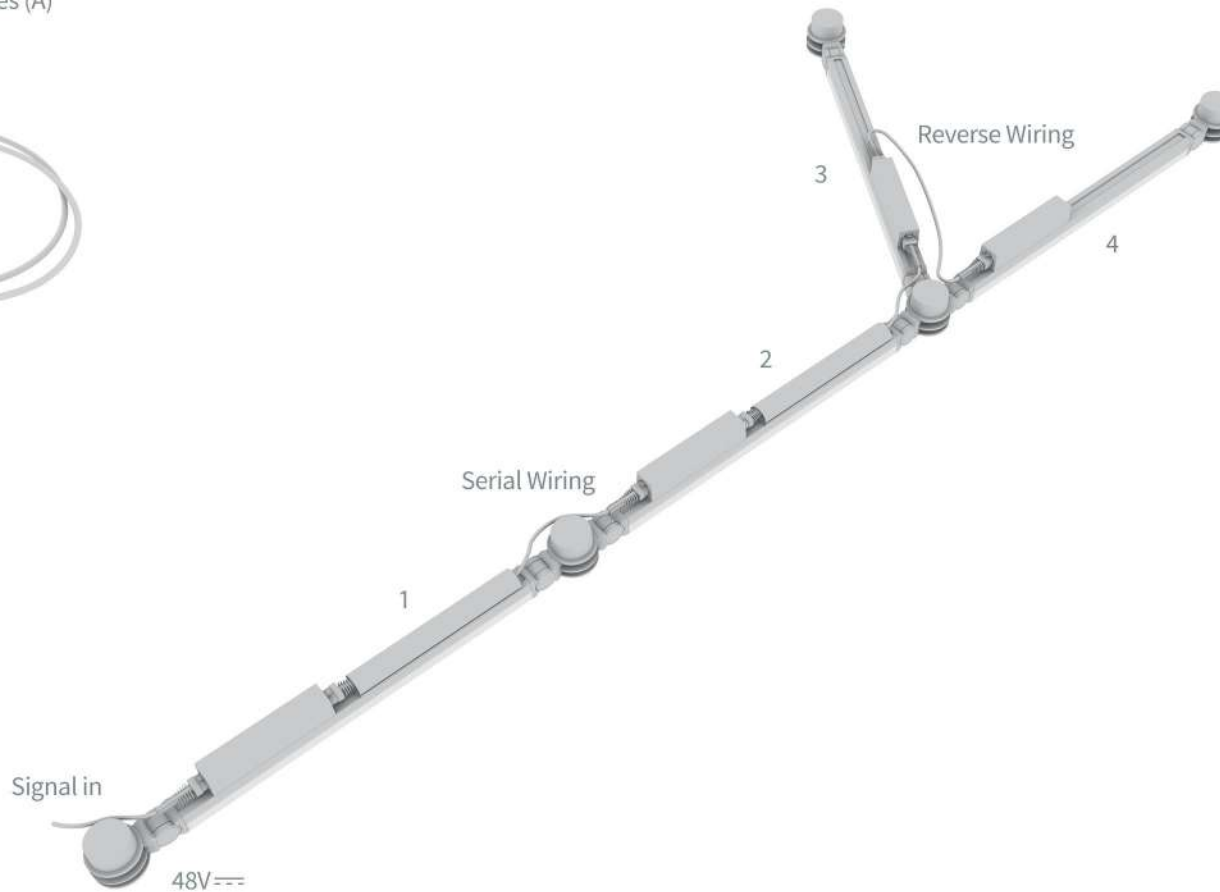
There is no isolation (galvanic/optic) included in the DMX interfaces of the products. Therefore, it is necessary to use external isolators for proper functioning of the products and achieving the isolation requirements. It must be ensured that each group of fixtures is isolated from the DMX Control Unit and from other fixture groups. Please see pictures on this side and next side. The DMX Isolators should be placed as close as possible to the tube it is connected to.

# DMX WIRING








RJ45 (Cat.5 Cable)

- distance to wall 25mm/0,98in. (x)
- use special distance pipes (A)



# DATASHEET - LIGEO™

Valid from 10/2024

	 Silver Order Number	 Black Order Number	 Gold Order Number	 White Order Number	Light Field (mm/inch)	Length (mm/inch)	Weight (g)	Typ. Flux (lm)	Power (W)	RA	Efficiency Class
WARM WHITE	29003010130	29003020130	29003030130	29003040130	300/11.81	395/15.55	117	492	5,7	83,1	A+
3000K	29006010130	29006020130	29006030130	29006040130	600/23.62	695/27.36	198	984	11,4	83,1	A+
Global Dimmable	29009010130	29009020130	29009030130	29009040130	900/35.43	995/39.17	287	1476	17,1	83,1	A+
	29012010130	29012020130	29012030130	29012040130	1200/47.24	1295/50.98	370	1968	22,8	83,1	A+
	29015010130*	29015020130*	29015030130*	29015040130*	1500/59.06	1595/62.79	452	2460	28,5	83,1	A+
NEUTRAL WHITE	29003010140	29003020140	29003030140	29003040140	300/11.81	395/15.55	117	474	5,6	86,4	A+
4000K	29006010140	29006020140	29006030140	29006040140	600/23.62	695/27.36	198	949	11,3	86,4	A+
Global Dimmable	29009010140	29009020140	29009030140	29009040140	900/35.43	995/39.17	287	1423	16,9	86,4	A
	29012010140	29012020140	29012030140	29012040140	1200/47.24	1295/50.98	370	1897	22,6	86,4	A
	29015010140*	29015020140*	29015030140*	29015040140*	1500/59.06	1595/62.79	452	2372	28,2	86,4	A
DAYLIGHT WHITE	29003010150	29003020150	29003030150	29003040150	300/11.81	395/15.55	117	507	5,6	86,5	A+
5300K	29006010150	29006020150	29006030150	29006040150	600/23.62	695/27.36	198	1015	11,3	86,5	A+
Global Dimmable	29009010150	29009020150	29009030150	29009040150	900/35.43	995/39.17	287	1522	16,9	86,5	A+
	29012010150	29012020150	29012030150	29012040150	1200/47.24	1295/50.98	370	2030	22,6	86,8	A+
	29015010150*	29015020150*	29015030150*	29015040150*	1500/59.06	1595/62.79	452	2537	28,2	86,5	A+

\* - discontinued item

# DATASHEET - LIGEO™

Valid from 10/2024



	Silver Order Number	Black Order Number	Gold Order Number	White Order Number	Light Field (mm/inch)	Length (mm/inch)	Weight (g)	Typ. Flux (lm)	Power (W)	RA	Efficiency Class
RGBW	29003010250	29003020250	29003030250	29003040250	300/11.81	395/15.55	128	481	5,6	88,9	A+
RGB+W 5300K	29006010250	29006020250	29006030250	29006040250	600/23.62	695/27.36	219	962	11,3	88,9	A+
Tube Control DMX	29009010250	29009020250	29009030250	29009040250	900/35.43	995/39.17	317	1443	16,9	88,9	A+
	29012010250	29012020250	29012030250	29012040250	1200/47.24	1295/50.98	409	1924	22,6	88,9	A+
	29015010250*	29015020250*	29015030250*	29015040250*	1500/59.06	1595/62.79	501	2405	28,2	88,9	A+
Connector Hub	29000900100	29000900200	29000900300	29000900400	* - discontinued item						
Suspended Hub 20mm	29000900120	29000900220	29000900320	29000900420							
Power Hinge 5m	29000900705	29000900505	29000900905	29000901105							



# NOTES

## REMARKS

- the electrical connection must be adapted to local requirements and the corresponding basic insulation must be provided
- the light source of this luminaire is not replaceable
- when the light source reaches its end of life, the whole luminaire should be replaced
- configure volt free
- use isolated screws for all connected power hubs
- use screws with a maximum diameter of 5mm

## MECHANICAL FEATURES

- 2kg max. load per LIGEO™
- mount the caps on free-floating hubs

## DMX CONTROL DATA CABLE

- the DMX controller is part of the luminaire and shall not be replaced
- when the DMX controller is damaged the whole luminaire should be replaced

## POWER SUPPLY OPTIONS

- max. 320W/hub
- electricity can be looped through
- system not compatible with other lamps
- use only independent and certified control gears, according to the IEC 61347-2-13, with Constant Voltage SELF Output: 48 V DC
- no unusual mechanical stresses on the cable
- isolate all open wire ends of power supply units

# NOTES

## AMBIENT CONDITIONS

- IP Rating: IP20
- temperature 5° C ... 40° C
- relative Humidity: 5% ... 90% (non-condensing)
- no direct air flow (e.g. from ventilation systems) on the products
- no mounting near heat sources
- if mounted in locations in which a lot of vibration is expected on the products, special measures have to be considered: contact LIGEO™ team for support

## CLEANING

- turn off power to all products before cleaning
- do not apply any sort of cleaner on the products
- use only dry, non static cloth for cleaning

## INSTALLATION

- do not stock the product during transport and installation
- if mounted on metal surfaces, double check that no electrical connections are accidently done between the products (e.g.by screws or suspension elements); metal surfaces should be connected to PE
- do not mount near other electrical appliance (or their wiring) with heavy load switching like elevators: contact LIGEO™ team for workarounds in there situations
- do not use with additional PWM dimmers: contact LIGEO™ team for dimming options
- take care not to touch the conductive metal parts of the products during installation or wear appropriate ESD equipment
- max. wattage per PSU: 320W
- use only with original LIGEO™ power hinge
- for DMX version: usage of additional optical isolators is recommended; contact LIGEO™ team for support
- avoid compressive or tensile linear strenth on the tubes; no force must be necessary to insert the tubes into the hubs

# NOTES

- the light source of this luminaire is not replaceable
- when the light source reaches its end of life, the whole luminaire must be replaced
- system not compatible with other lamps
- avoid compressive or tensile linear strength on the tube. No force must be necessary to insert the tubes into the hubs.
- mount one of both caps (flat cap or high cap - both for free in the delivery of each hub) on free-floating hubs
- no unusual mechanical stress on the cable
- take care not to touch the electrical contacts of the products during installation or make sure to wear ESD protective equipment

## MAINTENANCE

- no special maintenance needed
- in case of changing the configuration or replacing parts, always unpower the complete system and follow the rules for first time installation.



# LIGEO™

[www.ligeo.de](http://www.ligeo.de)

[info@ligeo.de](mailto:info@ligeo.de)